



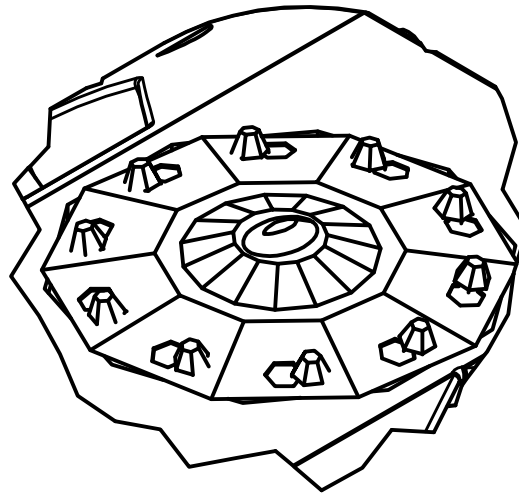
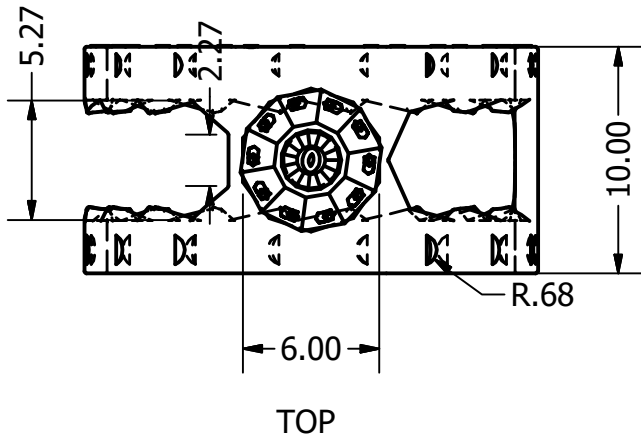
## JEWELRY PROJECT - CLUSTER RING

J. STUDENT

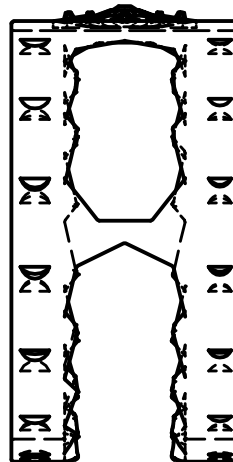
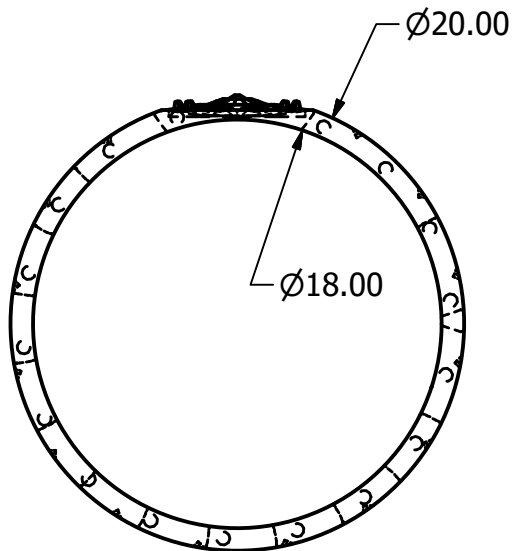
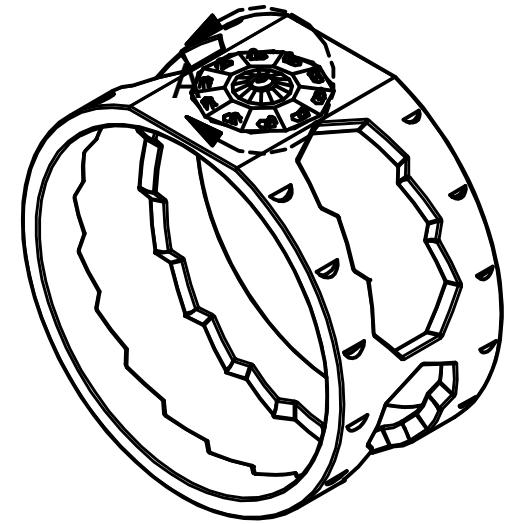
BROCKTON HIGH SCHOOL

JEWELRY PROJECT - CLUSTER RING

SCALE: 4 mm = 1 mm

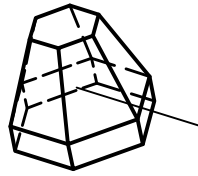


DETAIL A  
SCALE 10 : 1

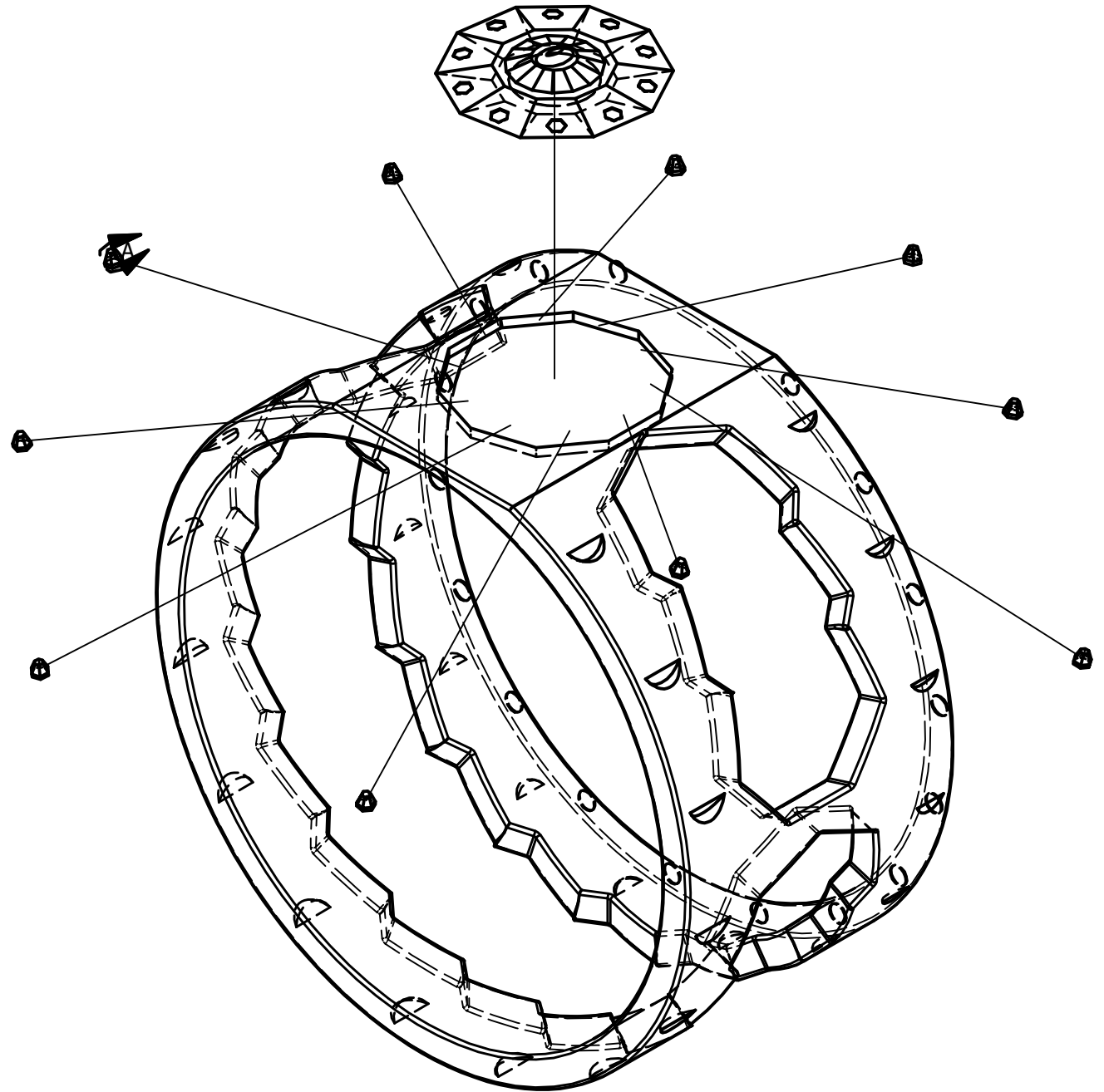


SIDE

J. STUDENT
BROCKTON HIGH SCHOOL
JEWELRY ASSEMBLY
SCALE: 3mm = 1 mm



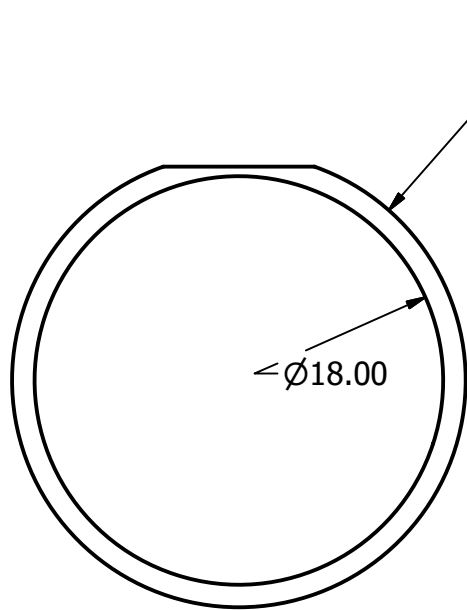
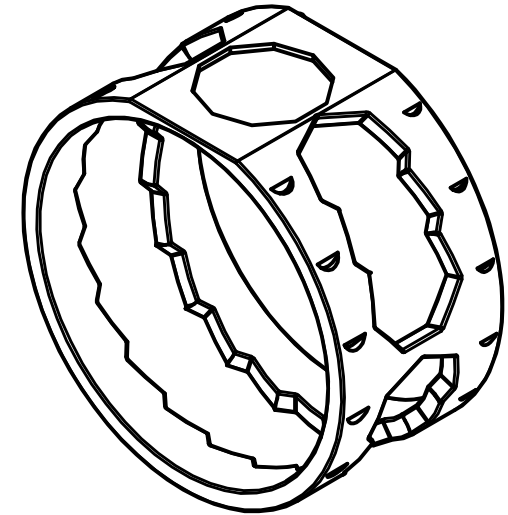
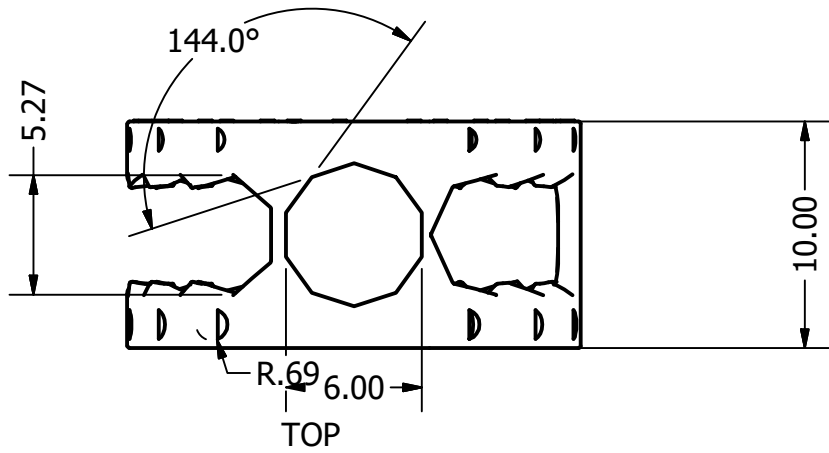
DETAIL A  
SCALE 40 : 1



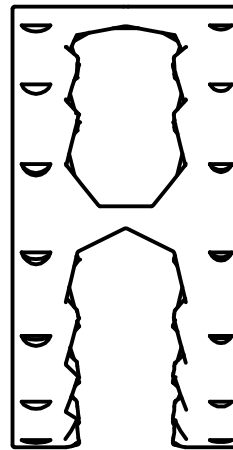
PARTS LIST

QTY	DESCRIPTION	PART NUMBER
1	RING	1
1	JEWEL CLUSTER	2
10	STONE	3

J. STUDENT  
 BROCKTON HIGH SCHOOL  
 JEWELRY EXPLOSION  
 SCALE: 6 mm = 1 mm

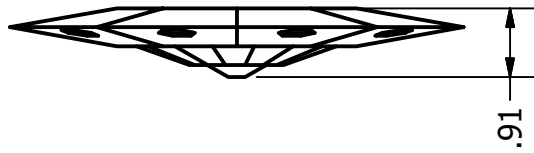


FRONT

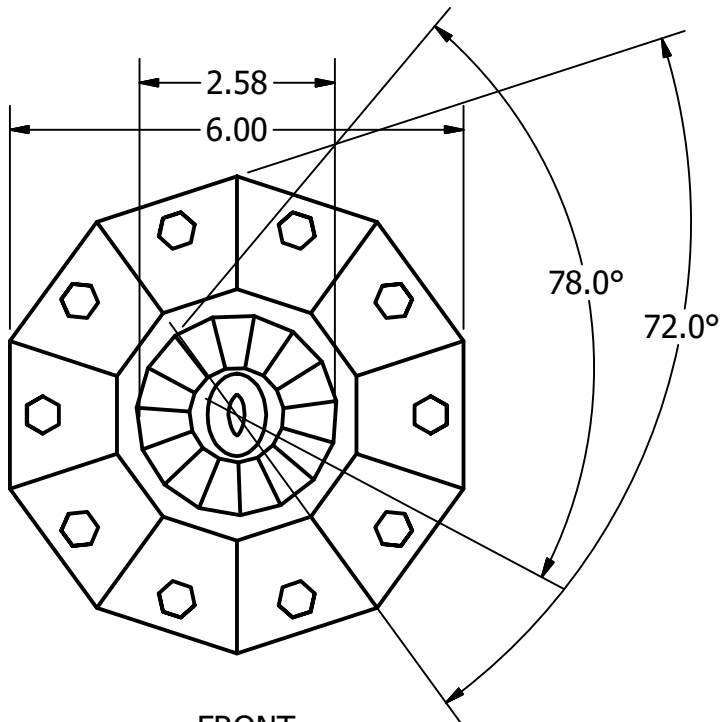
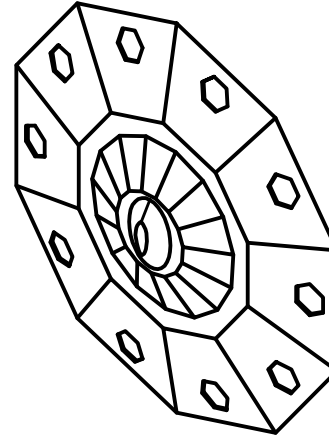


SIDE

J. STUDENT
BROCKTON HIGH SCHOOL
JEWELRY RING
SCALE: 3 mm = 1 mm



TOP

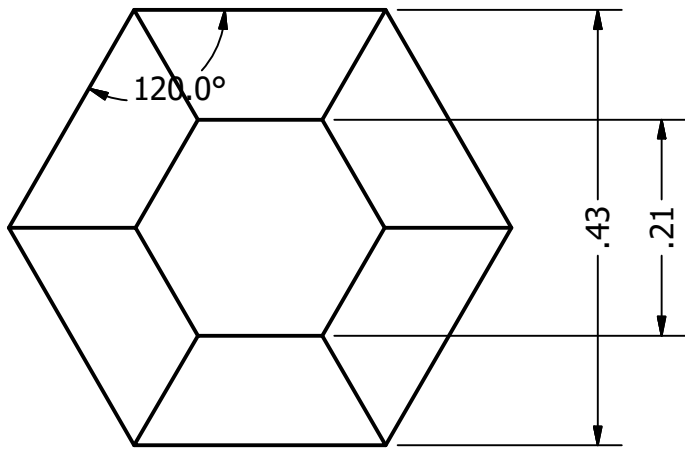


FRONT

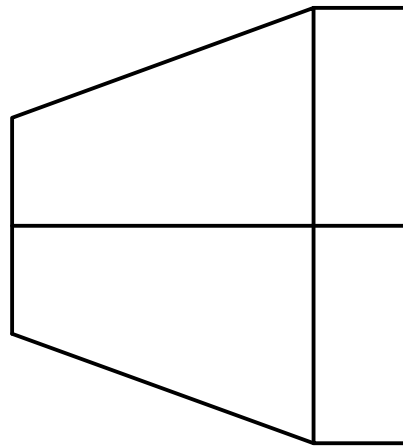


SIDE

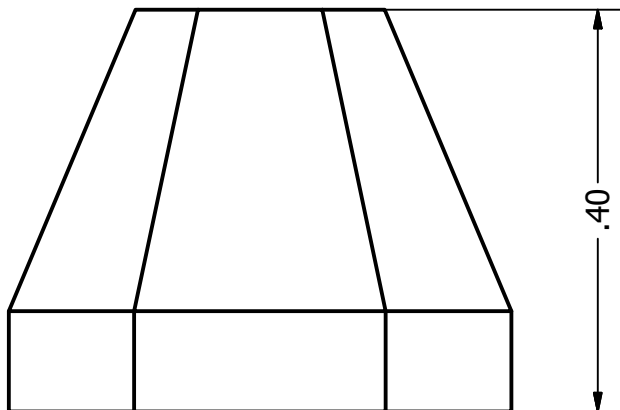
J. STUDENT
BROCKTON HIGH SCHOOL
JEWELRY CLUSTER
SCALE: 10 mm = 1 mm



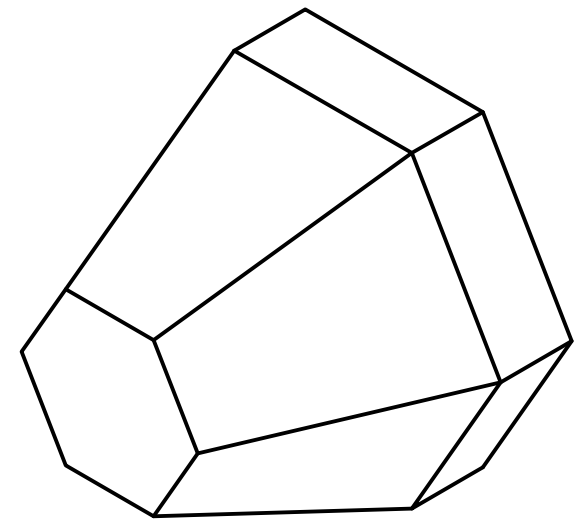
TOP



SIDE



FRONT



J. STUDENT
BROCKTON HIGH SCHOOL
JEWELRY STONE
SCALE: 133 mm = 1 mm