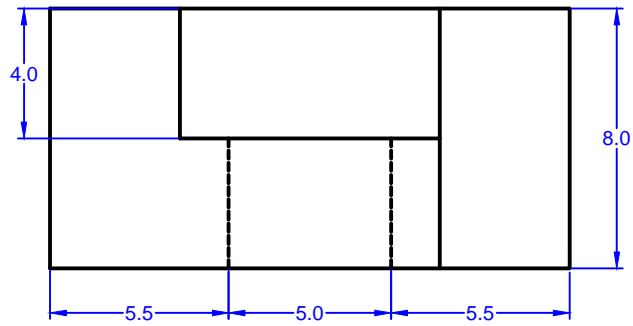
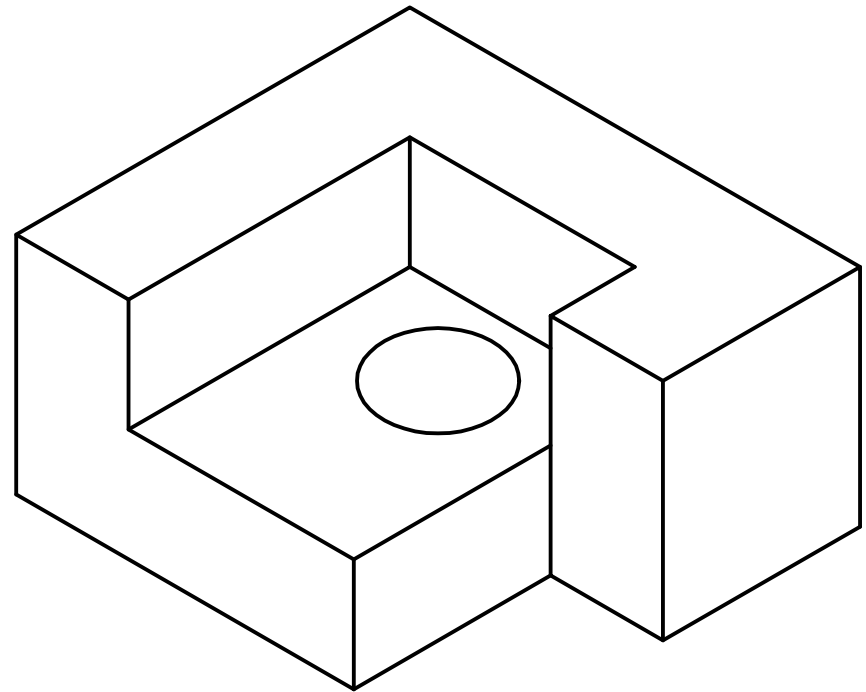


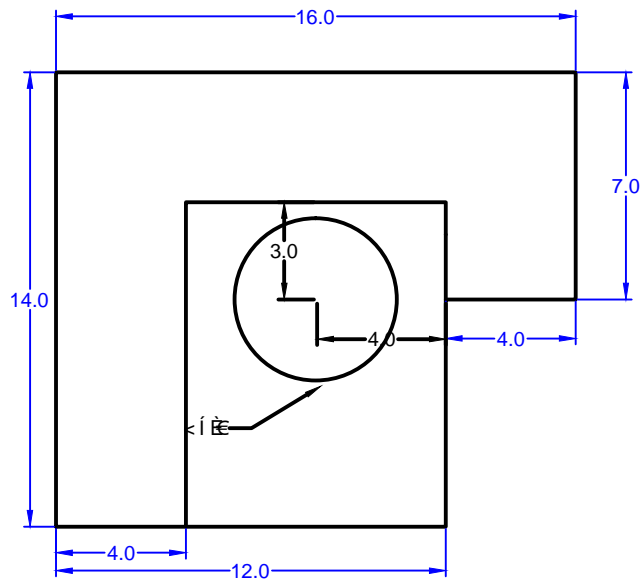
NOT TO SCALE



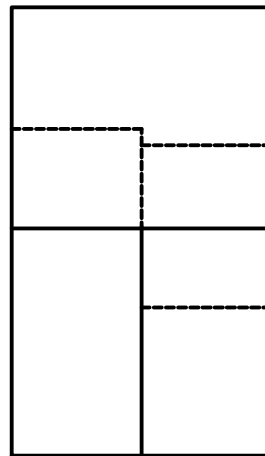
FRONT



ISOMETRIC



TOP



RIGHT SIDE

E. BRUNELLE

BROCKTON HIGH SCHOOL

FIGURE 03

SCALE: 1"=4"